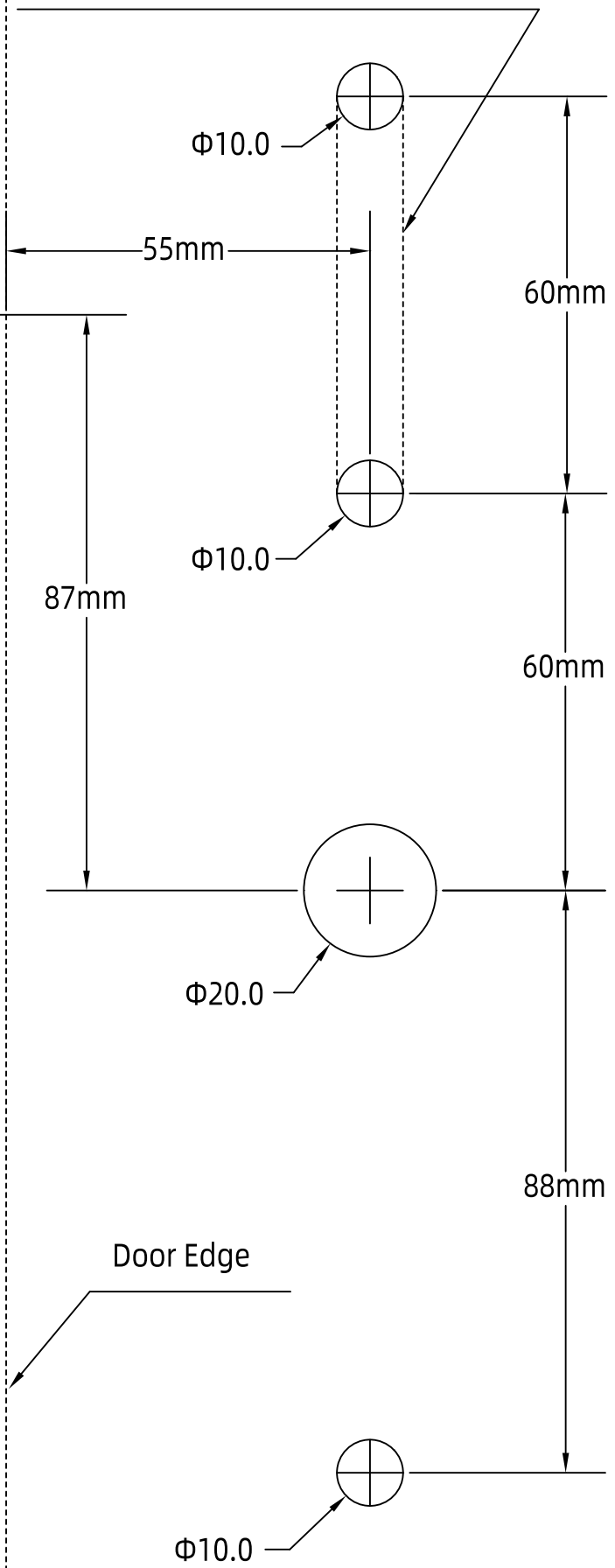
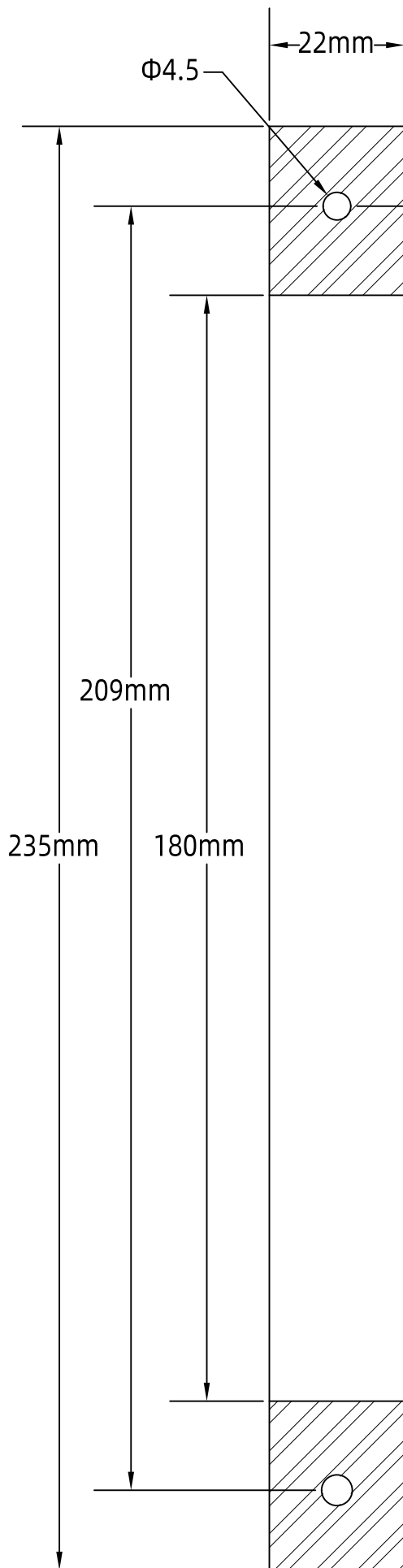


H30/H31

(5572)

Screw-sliding design,
Pls drill hole as to real position



Hole-drilling Drawing

Ratio 1:1

Drill holes as to this drawing