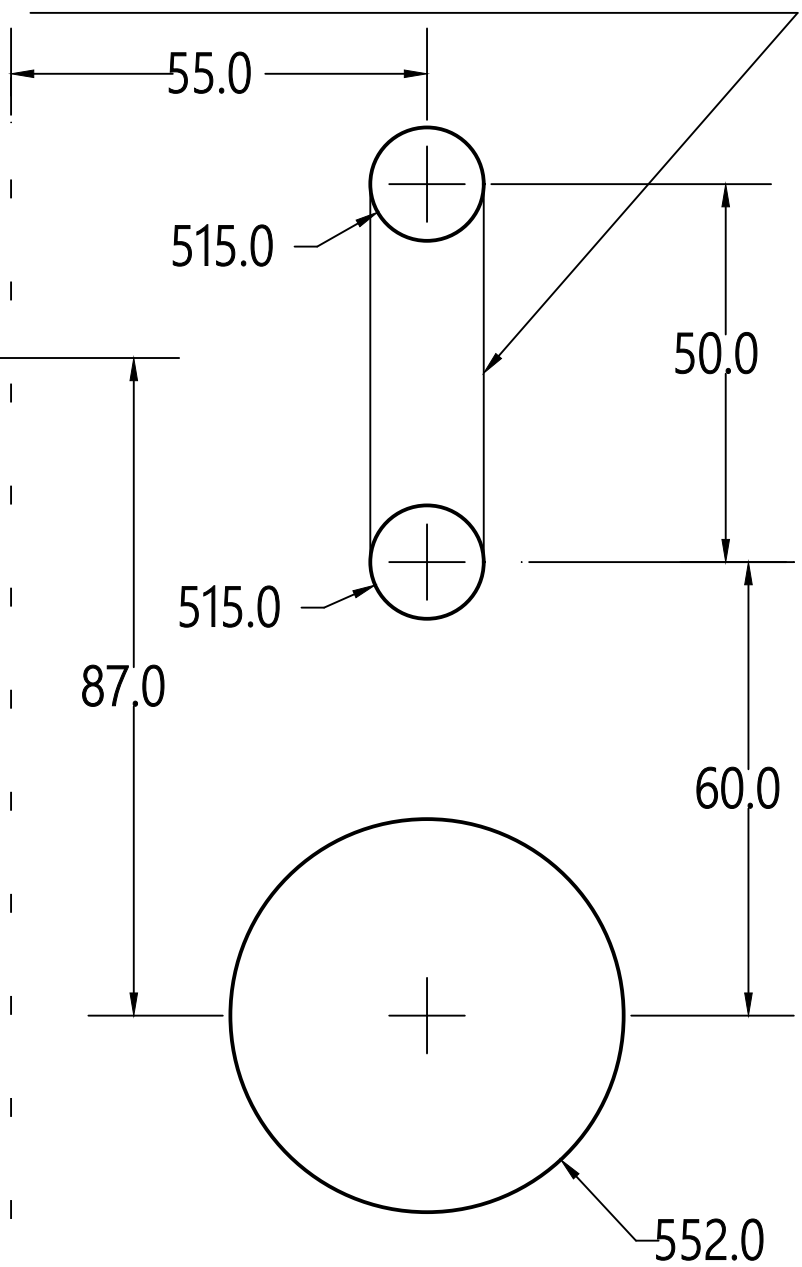
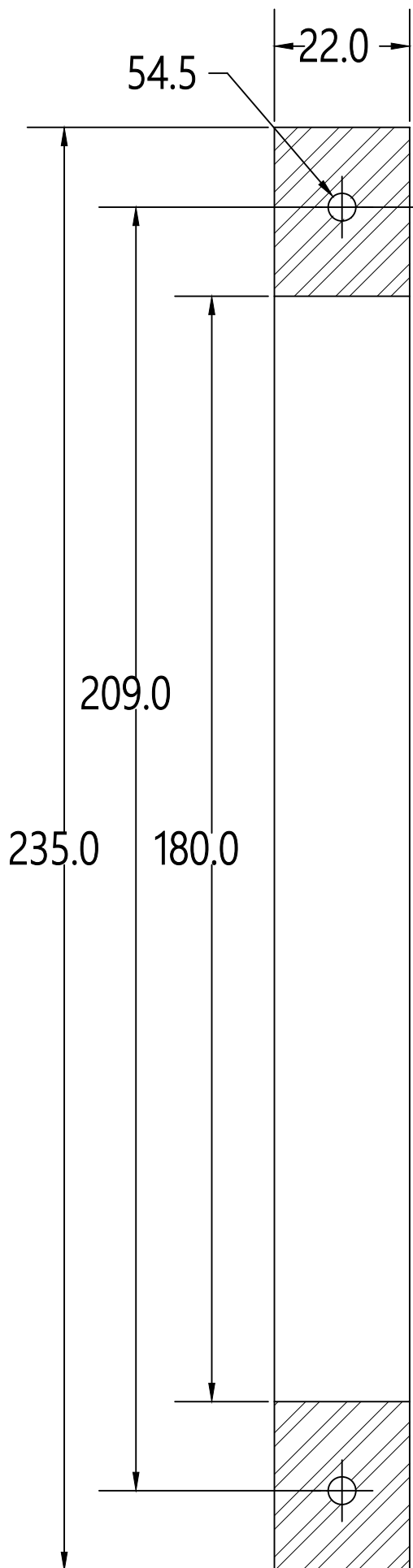


H10/H11 (5572)

Screw-sliding design,
Pls drill hole as to real position



Door Edge

