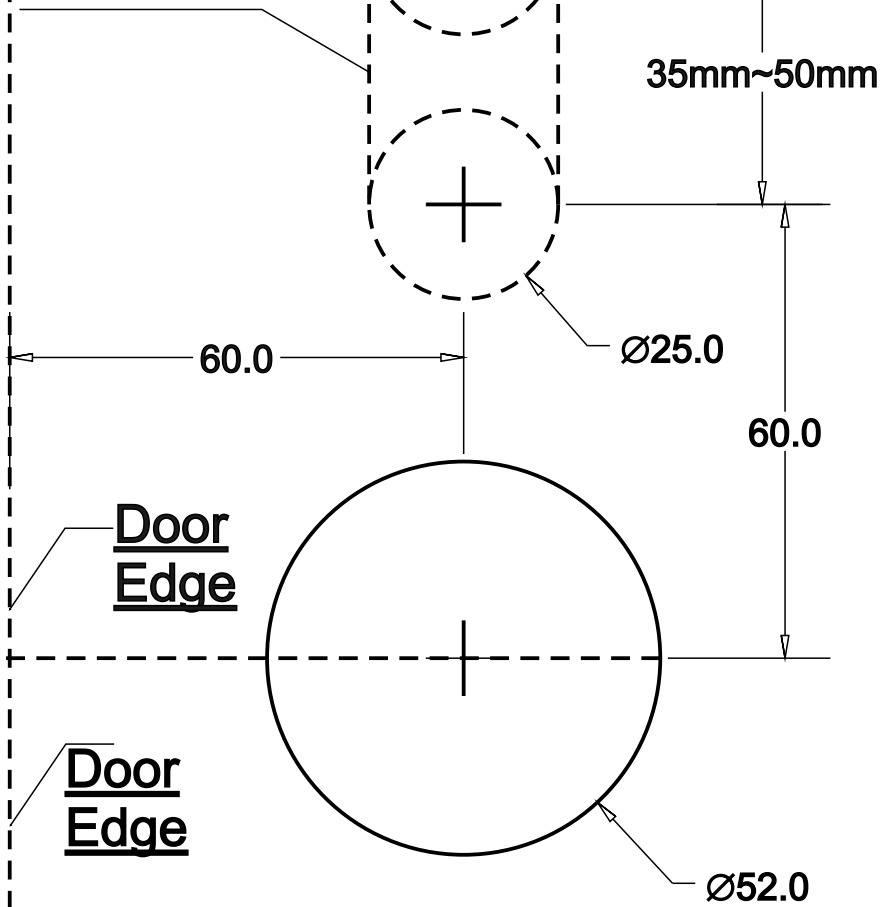
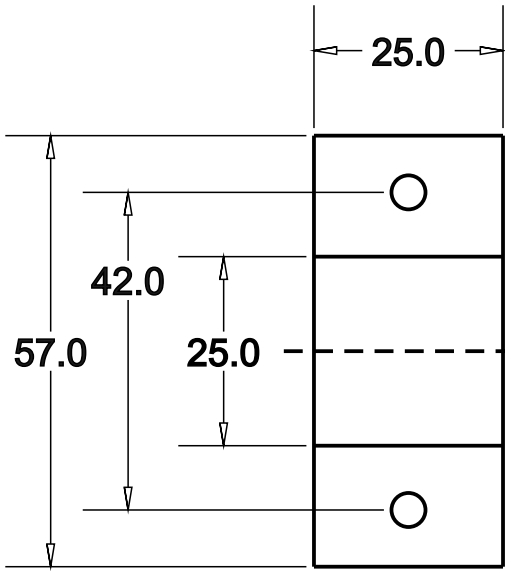


H10/H11

Screw-sliding design.  
Pls drill hole as



H10/H11

Screw-sliding design.  
Pls drill hole as to  
real position

